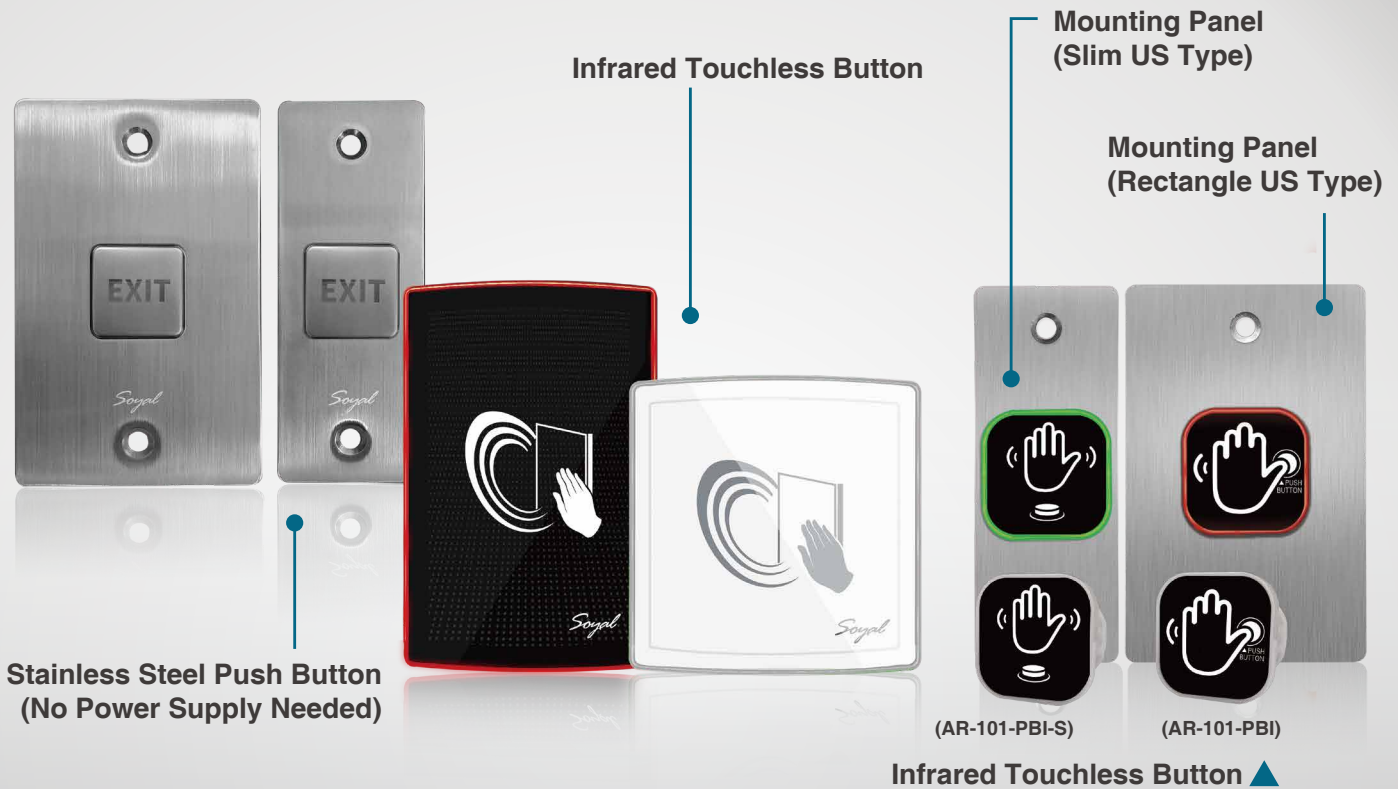


# Push Button Series

Infrared Touchless Button / Full Stainless Steel Push Button



Anti-Light Interference



Bi-color LED



Small Size



Long Sensing Distance

Infrared Sensor Exit Button



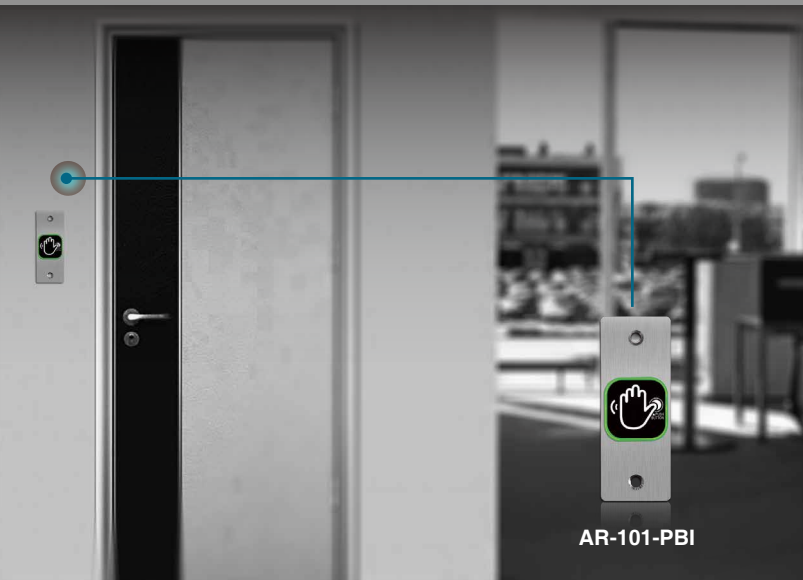
Safety and Health

Infrared Sensor Exit Button



Narrow Model

DMET-PB / DPLA-PB



AR-101-PBI



AR-101-PBI-S

# Push Button Series

## Infrared Touchless Button / Full Stainless Steel Push Button

### Infrared Touchless Button AR-101-PBI



(AR-101-PBI-S) (AR-101-PBI)

### Infrared Touchless Button AR-888-PBI (EU/US)



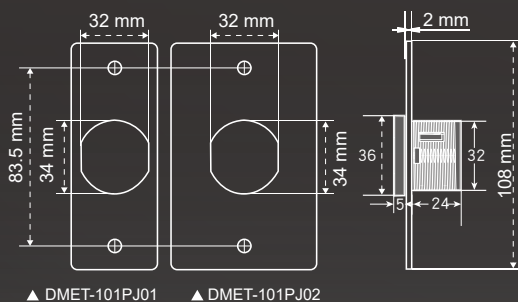
### Full Stainless Steel Push Button AR-PB5- 041108/068108/086086



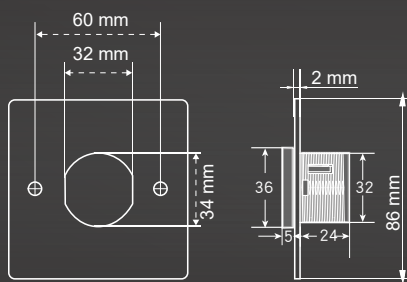
Detection Distance	AR-101-PBI: 5-20cm AR-101-PBI-S: 0.5-15cm	3-5 cm	0 cm (Push)
Voltage	DC 9~24V	DC 9-15V	None
Current	DC 12V Standby:35mA / Max. during activation: 65mA	DC 12V Standby:35mA / Max. during activation: 65mA	—
Operating Temperature	-20 °C ~ +65 °C	-20 °C ~ +60 °C	-20 °C ~ +60 °C
Lifespan	Over 500,000 times	Over 500,000 times	Approx. 5 0,000 times
Relay Output	30VDC 1A / 125VAC 0.3A	30VDC 1A / 125VAC 0.3A	
Protection Standard	NO	IP65	NO
Indicator	GR : Green-Red	Edge LED: Green/Red (Changeable)	NO
Housing Material	PC	PC	Metal
Color	Black Label Sticker (Customized Label Available)	Black / White (Customized Panel Available)	Silver
Dimensions(mm)	36(L)X36(W)X5(H)/31(H)	US: 118(L)X81(W)X9(H)/34(H) EU: 88(L)X86(W)X9(H)/34(H)	41: 41(L)X108(W)X7(D) 68: 68(L)X108(W)X7(D) 86: 86(L)X86(W)X7(D)
Weight(g)	20±10	US: 120±10 / EU: 100±10	AR-PB2-041108: 71±10 AR-PB2-068108: 115±10 AR-PB2-086086: 117±10

## Dimension(mm)

### AR-101-PBI + DMET-101PJ

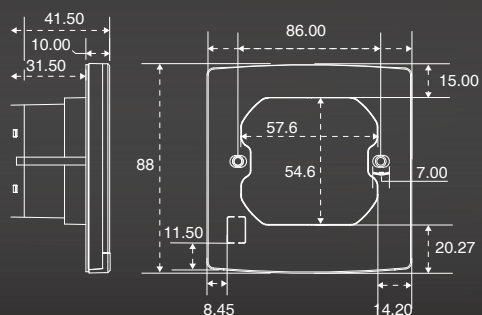
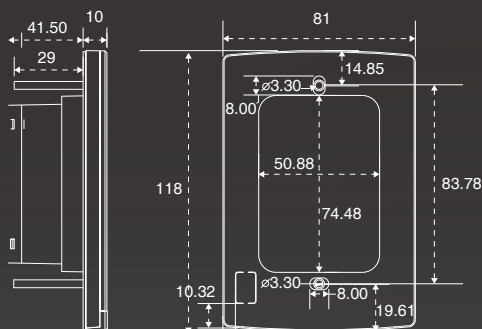


▲ DMET-101PJ01 ▲ DMET-101PJ02

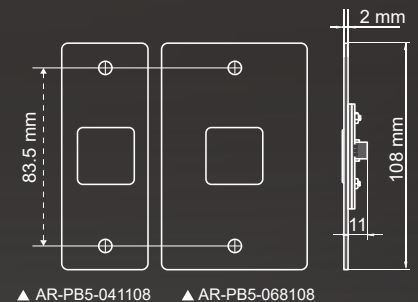


▲ DMET-101PJ03

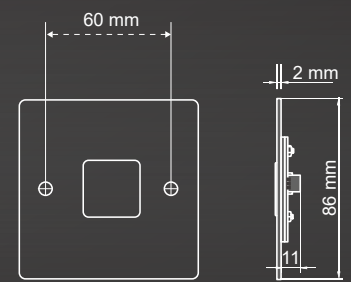
### AR-888-PBI (EU/US)



### AR-PB5-41/68/86



▲ AR-PB5-041108 ▲ AR-PB5-068108



▲ AR-PB2-086086